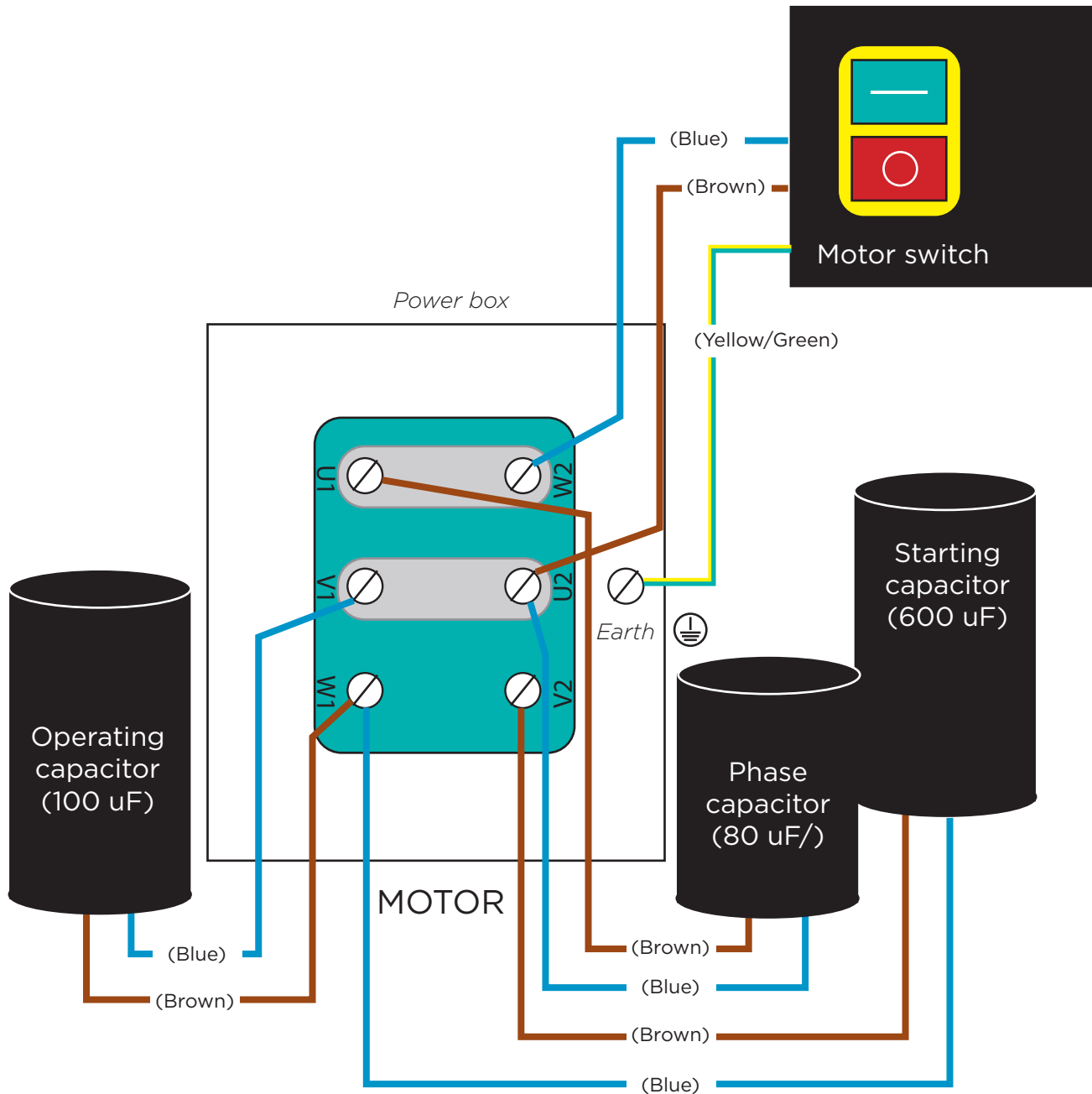


CONNECTION DIAGRAM CAPACITORS

- 110V, 1.1KW FORCED ACTION MIXERS -



See photos on the next page...

Starting capacitor:
Only connected to a position with no securing plate fitted

Phase capacitor:
Always connected to where the power comes into the mixer

Operating capacitor:
Always connected to the phase capacitor or "0" + starting capacitor

SALES SUPPORT / ADMIN
FABRIKSPARKEN 13 DK-2600 GLOSTRUP
+45 36 72 75 00 SALES@SOROTO.DK

PRODUCTION / WAREHOUSE
FABRIKSPARKEN 11 DK-2600 GLOSTRUP
+45 36 72 78 00 TEKNIK@SOROTO.DK

SOROTO@SOROTO.DK WWW.SOROTO.DK

